

PRE-CRUSHER COMPACTORS



COLLECT IT. CONTAIN IT. COMPACT IT.



Compact and Contain
Bulky Items



4 & 5 Cubic Yard
Heavy Duty
Capacities



Fast & Cost Effective
Delivery w/ FleetGenius®



PLC Operating Systems =
Multi-Function Reliability



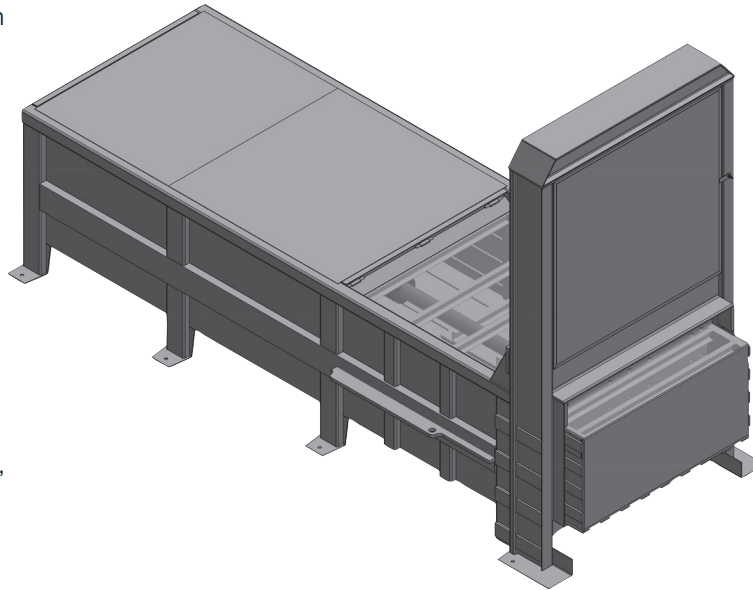
FLEETGENIUS®

Pre-Crusher Compactor Specs & Features

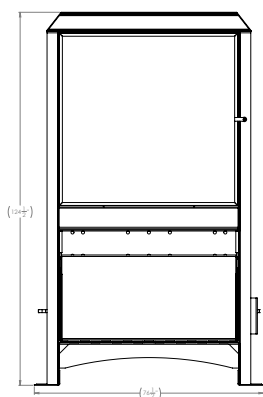
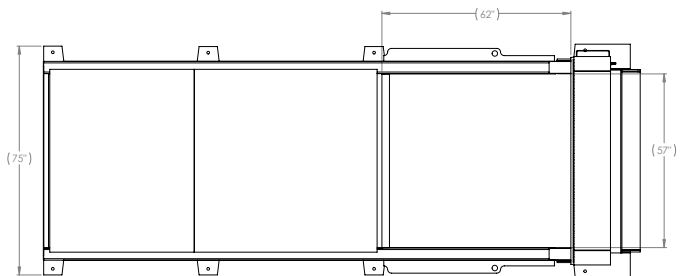
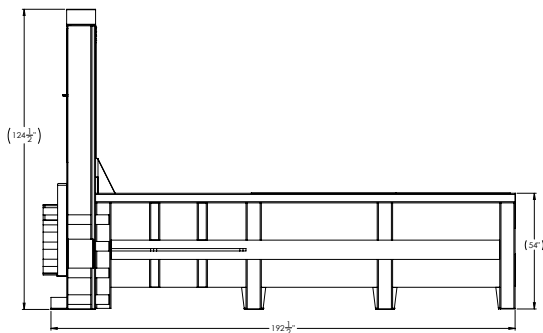
FleetGenius® Pre-Crusher Compactors are equipped for heavy duty, industrial applications. These compactors are specially designed to breakdown large, bulky items for better compaction and payloads. Example items include steel drums, appliances, steel cages, furniture, and more. They are also a good solution for defective product destruction.

FleetGenius® Pre-Crushers are similar to Stationary Compactors, but with a retracable steel wall at the end of the charge box. The ram crushed material against this steel wall, then the wall lifts and the crushed material packs into the receiving container.

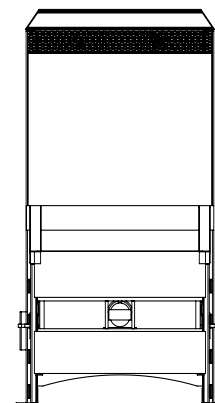
Sales, Service, Technical Support, Delivery, Installation and Parts are all available via our eight strategically located service centers within the US. FleetGenius® is your one-stop shop for all your compactor needs.



- Common Applications:
- Distribution Centers & Warehouses
 - Manufacturing Plants
 - Thrift Stores
 - Automotive Dealerships
 - and more!



Front View



Rear View

Pre-Crushers & Detailed Specs



FGCG-400



FGCG-400 Install



FGCG-500 w/ Receiver Container

FGCG-400	SPECIFICATIONS	FGCG-500
20 HP	Motor (230/460, 3 ph, 60 hz)	30 HP
35 gpm (20/15 gpm)	2 Stage Pump	45 gpm (30/15 gpm)
14"	Ram Penetration	16"
65" x 58"	Clear Top Opening	88" x 58"
60 seconds	Cycle Time	75 seconds
7" bore x 4" rod x 83" stroke	Cylinder	7" bore x 4" rod x 110" stroke
2300 psi	Normal Operation Pressure	2700 psi
2600 psi	Max Operation Pressure	3000 psi
100,000 lbs	Max Ram Force	115,400 lbs
5.5" thick w/ 1" AR plate	Vertical Gate	5.5" thick w/ 1" AR plate
185" L x 54" H x 68" W	Approx. Compactor Dimensions	250" L x 54" H x 68" W

FLEETGENIUS® AT A GLANCE

At FleetGenius®, we've built our reputation on listening to our customers first, understanding their needs and then designing quality products that meet or exceed their expectations. FleetGenius® Pre-Crusher Compactors are ruggedly constructed to exacting standards to provide you with years of trouble-free performance without gimmicks or add ons you didn't ask for. In short, our compactors just work.

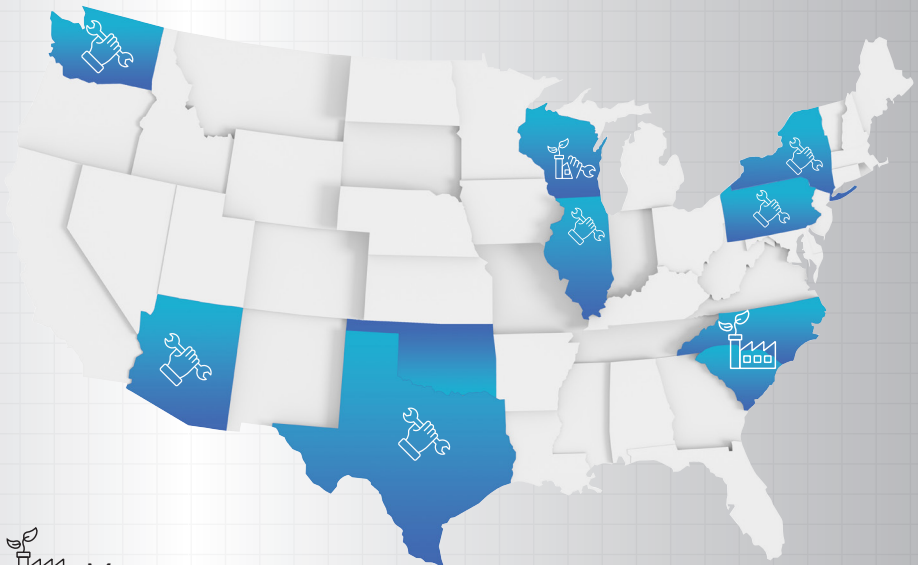
Genius? No. FleetGenius®.

WHO ARE WE?

- FleetGenius® has grown to include multiple environmental services companies with a combined experience spanning decades.
- Along with manufacturing our own line of commercial equipment, we also offer commercial container management that includes: inventory management, cart poly-welding, container washing, and more!
- Although we do deliver equipment via our own fleet, don't be fooled by our name! FleetGenius® is not a logistics company - we just support them!

Interested in learning more? Visit us at www.fleetgenius.com or give us a ring at 833-627-4872.

Eight Strategically Located Sales/Service Distribution Centers and SuperCenters



FLEETGENIUS®

www.fleetgenius.com