

VERTICAL COMPACTORS



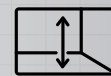
GENIUS *V*PAK



Compact and Contain
Liquid Food Waste



6 & 8 Cubic Yard
Capacities



Perfect for small
footprints



4 Feed
Configurations

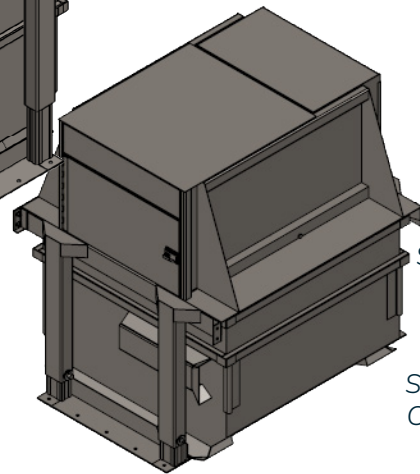
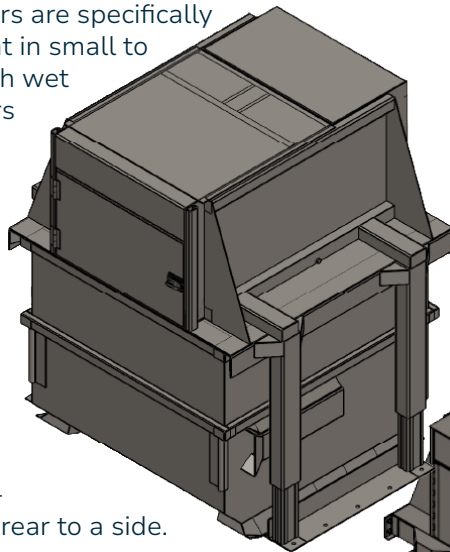


FLEETGENIUS®

Vertical Compactor Specs and Features

FleetGenius® Vertical Compactors are specifically designed to provide containment in small to medium waste applications, both wet and dry. Our Vertical Compactors are available in 6 and 8 yard capacities. The GeniusVPak can be ordered to be “fed” from either the front or back, or the left side or right side. This can later be re-configured by the owner in such ways:

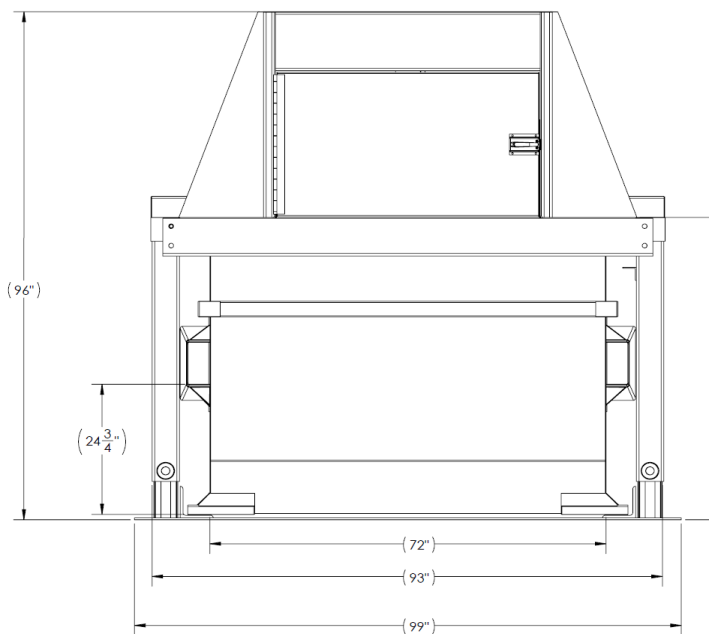
- A front to a rear feed (or vice versa)
- A left side to a right side feed (or vice versa)
- However, it cannot be later re-configured to go from a front or rear to a side.



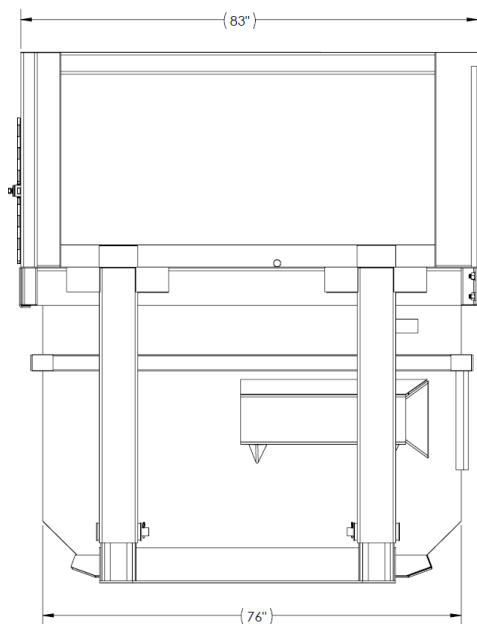
The GeniusVPak offers a streamlined collection process for both the hauler and user. Sales, Service, Technical Support, Delivery, Installation and Parts are all available through our eight strategically located service centers within the US. FleetGenius® is your one-stop shop for all your compactor needs.

Perfect for
 Grocery Stores
 Apartments
 Restaurants
 School & Universities
 Hospitals
 Hotels & Resorts
 Retail Stores
 Senior Living Facilities
 Convenience Stores &
 Gas Stations
 Stadiums & Arenas

GENIUS^{VP}PAK



Front View



Side View

Detailed Specs



SPECIFICATIONS	
Chamber Capacity	.75 yd ³
Feed Opening (L x W)	48" x 28"
Ram Face (L x W)	41" x 49"
Feed Height (6 Yard)	57"
Cycle Time	30 seconds
Ram Force	20,700 lbs
Max Force	24,500 lbs
Ram Face Pressure	23.2 psi
Max Ram Face Pressure	27.3 psi
Ram Penetration	16"
Electric Motor	4 hp
Electric Control Voltage	120 VAC
Hydraulic Pump	6 gpm
Normal Pressure	1650 psi
Maximum Pressure	1950 psi
Hydraulic Cylinder Bore	4"
Hydraulic Cylinder Rod	2"
Hydraulic Cylinder Stroke	16"

FLEETGENIUS® AT A GLANCE

At FleetGenius®, we've built our reputation on listening to our customers first, understanding their needs and then designing quality products that meet or exceed their expectations. FleetGenius® Vertical Compactors, also known as the GeniusVPak, are ruggedly constructed to exacting standards to provide you with years of trouble-free performance without gimmicks or add ons you didn't ask for. In short, our compactors just work.

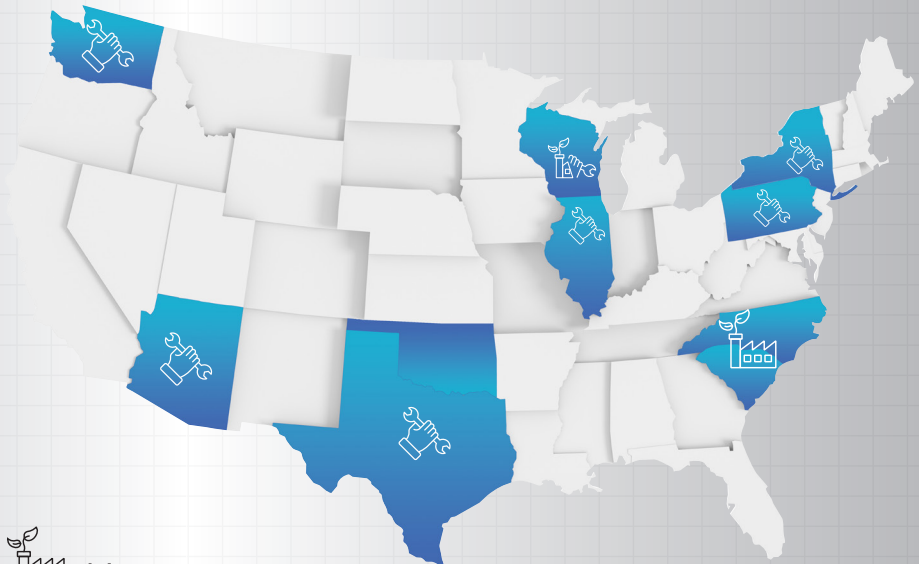
Genius? No. FleetGenius®.

WHO ARE WE?

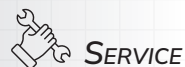
- FleetGenius® has grown to include multiple environmental services companies with a combined experience spanning decades.
- Along with manufacturing our own line of commercial equipment, we also offer commercial container management that includes: inventory management, cart poly-welding, container washing, and more!
- Although we do deliver equipment via our own fleet, don't be fooled by our name! FleetGenius® is not a logistics company - we just support them!

Interested in learning more? Visit us at www.fleetgenius.com or give us a ring at 833-627-4872.

Eight Strategically Located Sales/Service Distribution Centers and SuperCenters



MANUFACTURING



SERVICE



LITE MFG & SERVICE



FLEETGENIUS®

www.fleetgenius.com